



Total Solution Provider in Saw Device

SA947AM

GSM, RF SAW Filter

Revision 0: January 2002



- Electrical Characteristics
 - Package Dimensions
 - Testing Environment
 - Frequency Characteristics
-

SAWNICS Inc.

460 Cheonheung-ri, Seonggeo-eup, Cheonan-si, Chungcheongnam-do, 330-836 / Korea.
Tel: +82 41 550 9372 / Fax: +82 41 550 9399 / www.sawnics.com



□ Electrical Characteristics

Maximum Ratings

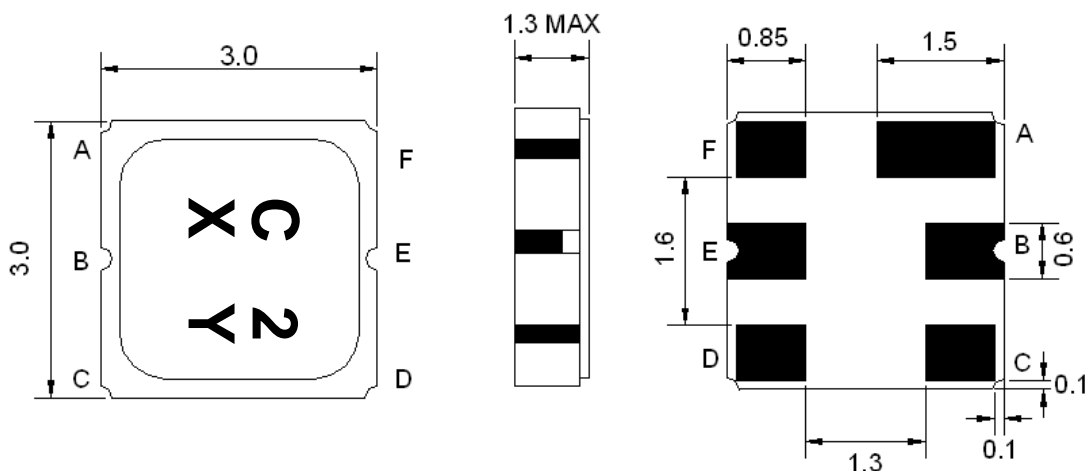
Parameters Description	Unit	Minimum	Typical	Maximum
Operating Temperature Range	°C	-30	-	+85
Storage Temperature Range	°C	-40	-	+85
Maximum DC Voltage	V	-	-	5
Maximum Input Power	dBm	-	-	15
Source Impedance (single ended) ⁽¹⁾	Ω	-	50	-
Load Impedance (single ended) ⁽¹⁾	Ω	-	50	-
Package type & size	M			
Length x Width	mm ²	-	3.0 x 3.0	-
Height	mm	-	-	1.3

Electrical Specification

Parameters Description	Unit	Minimum	Typical	Maximum
Center Frequency (Fo)	MHz	-	947.5	-
Insertion Loss 935~960 MHz	dB	-	2.6	3.5
Amplitude Ripple within 935~960 MHz	dB _{p-p}	-	0.9	1.5
Attenuation:				
D.C. ~ 870 MHz	dB	25	30	-
870 ~ 915 MHz	dB	30	35	-
980 ~ 985 MHz	dB	20	25	-
985 ~ 1025MHz	dB	30	37	-
1025 ~ 1500 MHz	dB	28	34	-
1500 ~ 2000 MHz	dB	30	38	-
VSWR (935~960 MHz)	-	-	2.1	2.5

Notes : (1) No Matching Network (Ref. Testing Environment Circuit as shown below).

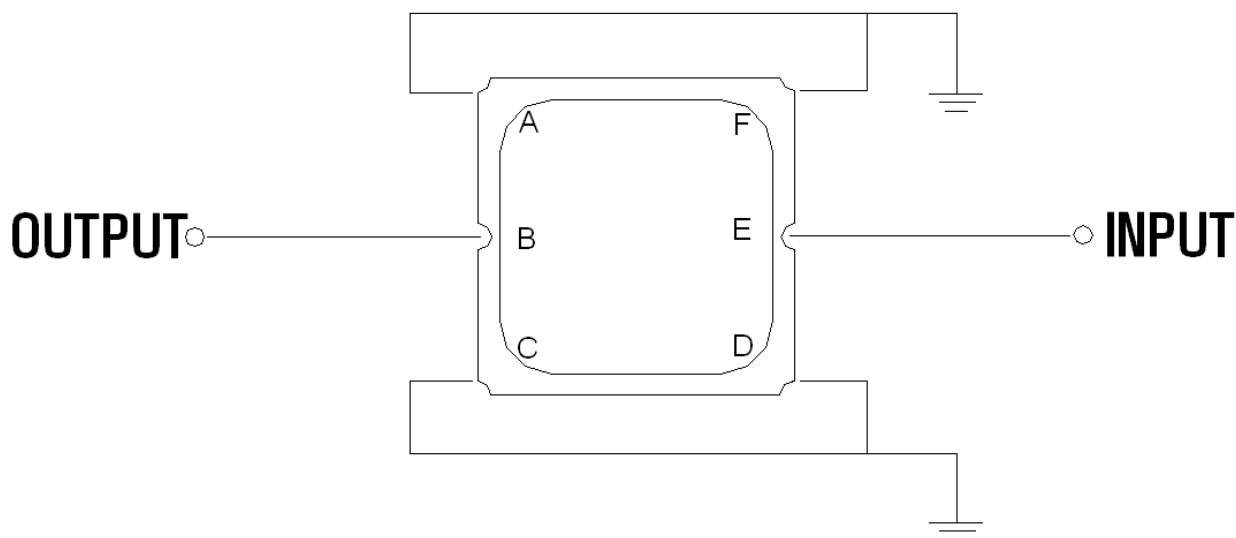
Package Dimensions



Marking Descriptions	
C	GSM Application
2	Series Number
X	Date Code(Year)
Y	Date Code(Month)

Pin Description	
A, C, D, F	Ground
E	In
B	Out

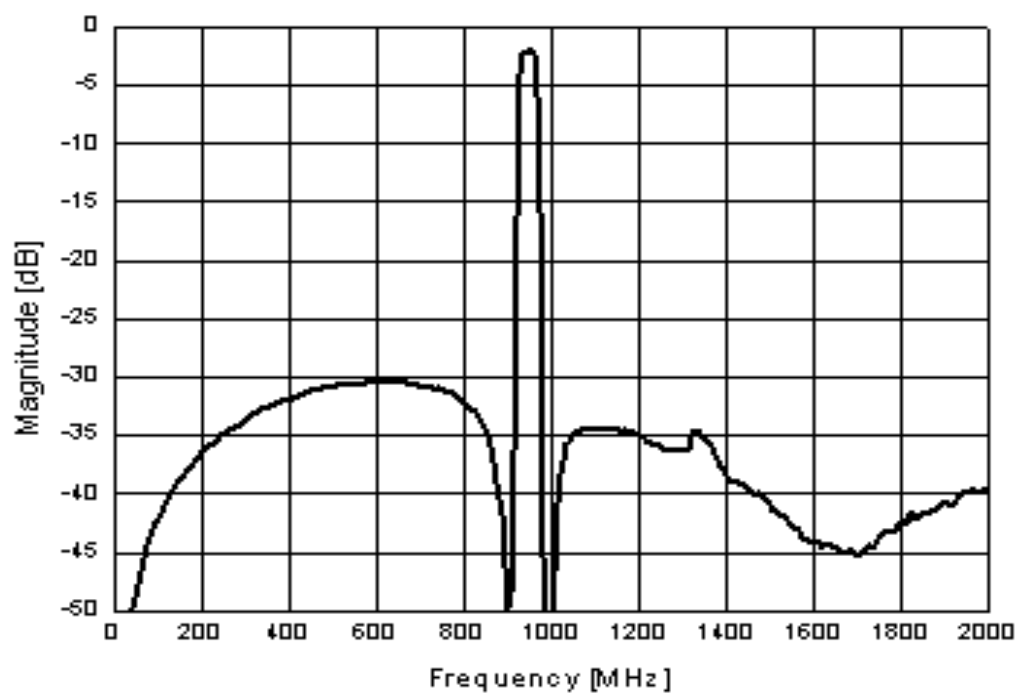
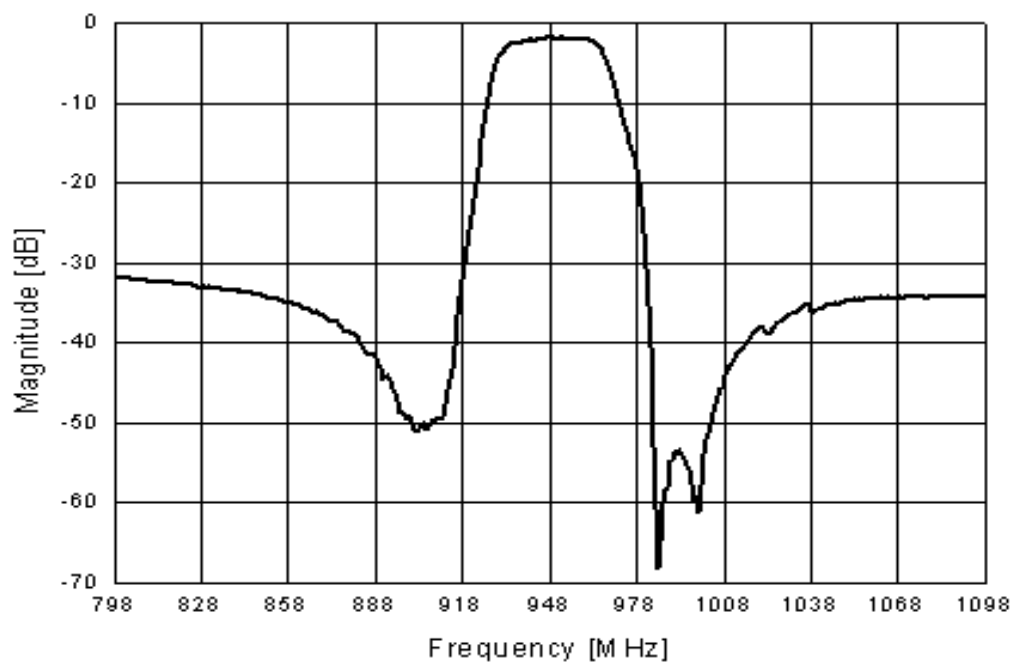
Testing Environment



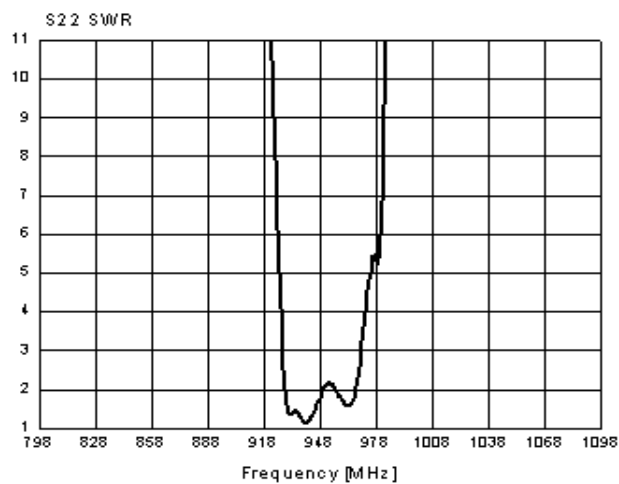
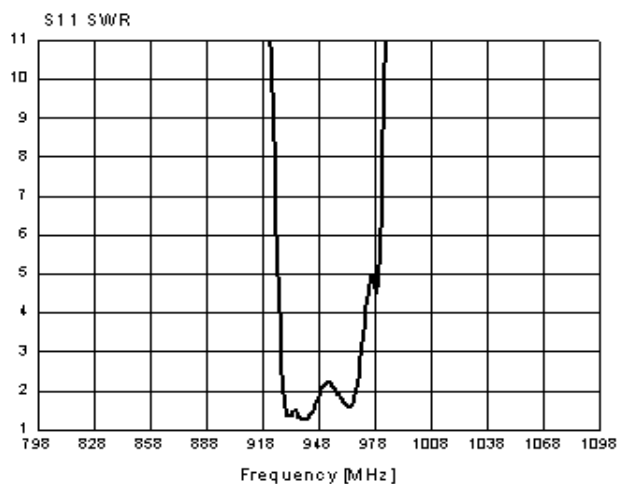
Source & Load Impedance: 50 Ω

□ Frequency Characteristics

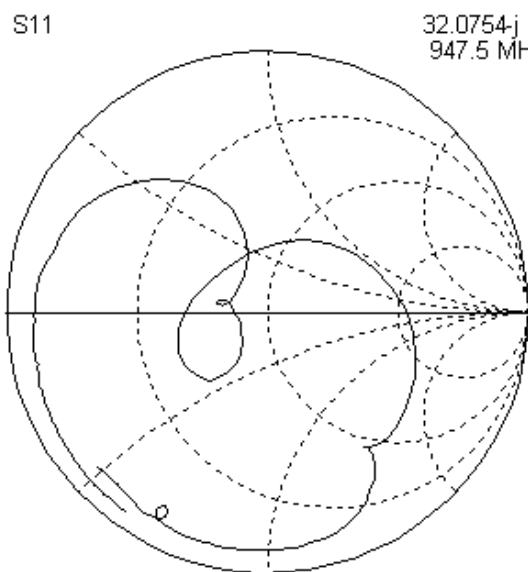
Frequency Response



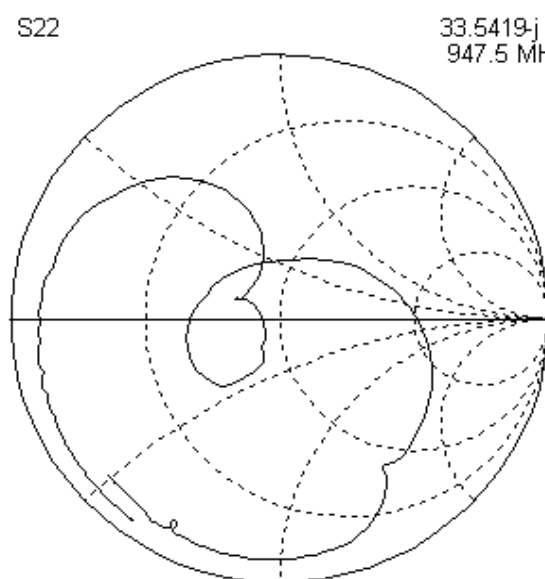
VSWR



Smith Chart



32.0754-j 16.8397
947.5 MHz



33.5419-j 17.2444
947.5 MHz